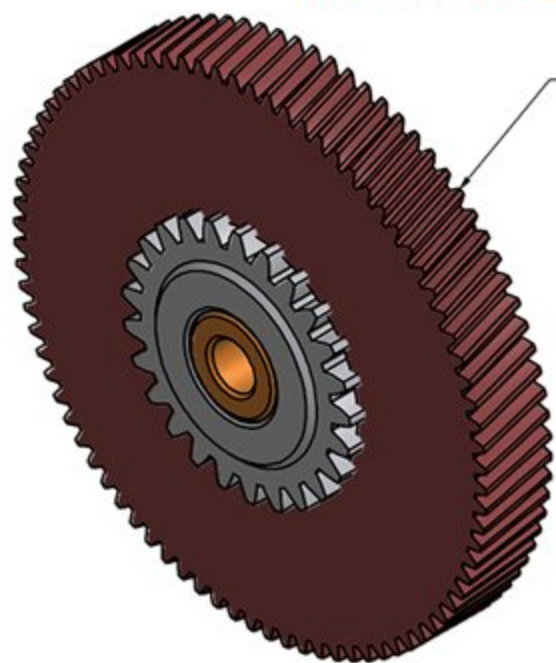
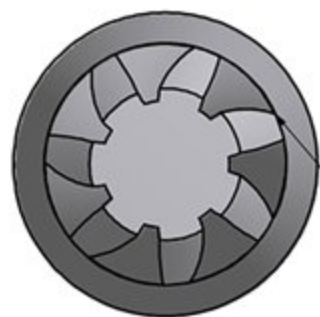


## OLD TYPE



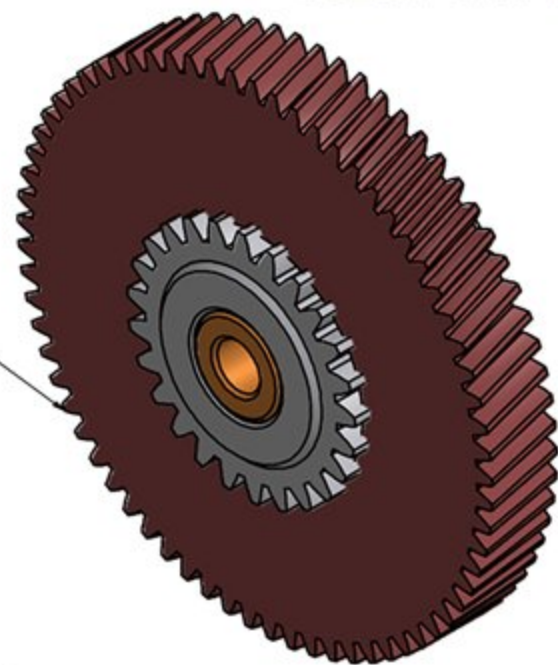
Cod. 208304BS  
84 gear teeth



Crankshaft for 208304BS  
7 gear teeth

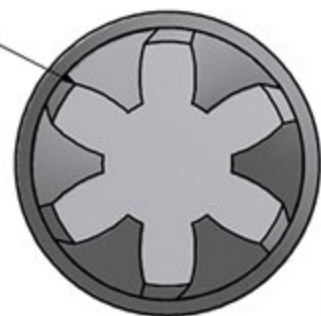
B ( 10 : 1 )

## NEW TYPE



Cod. 208314BS  
69 gear teeth

Crankshaft for 208314BS  
6 gear teeth



A ( 10 : 1 )